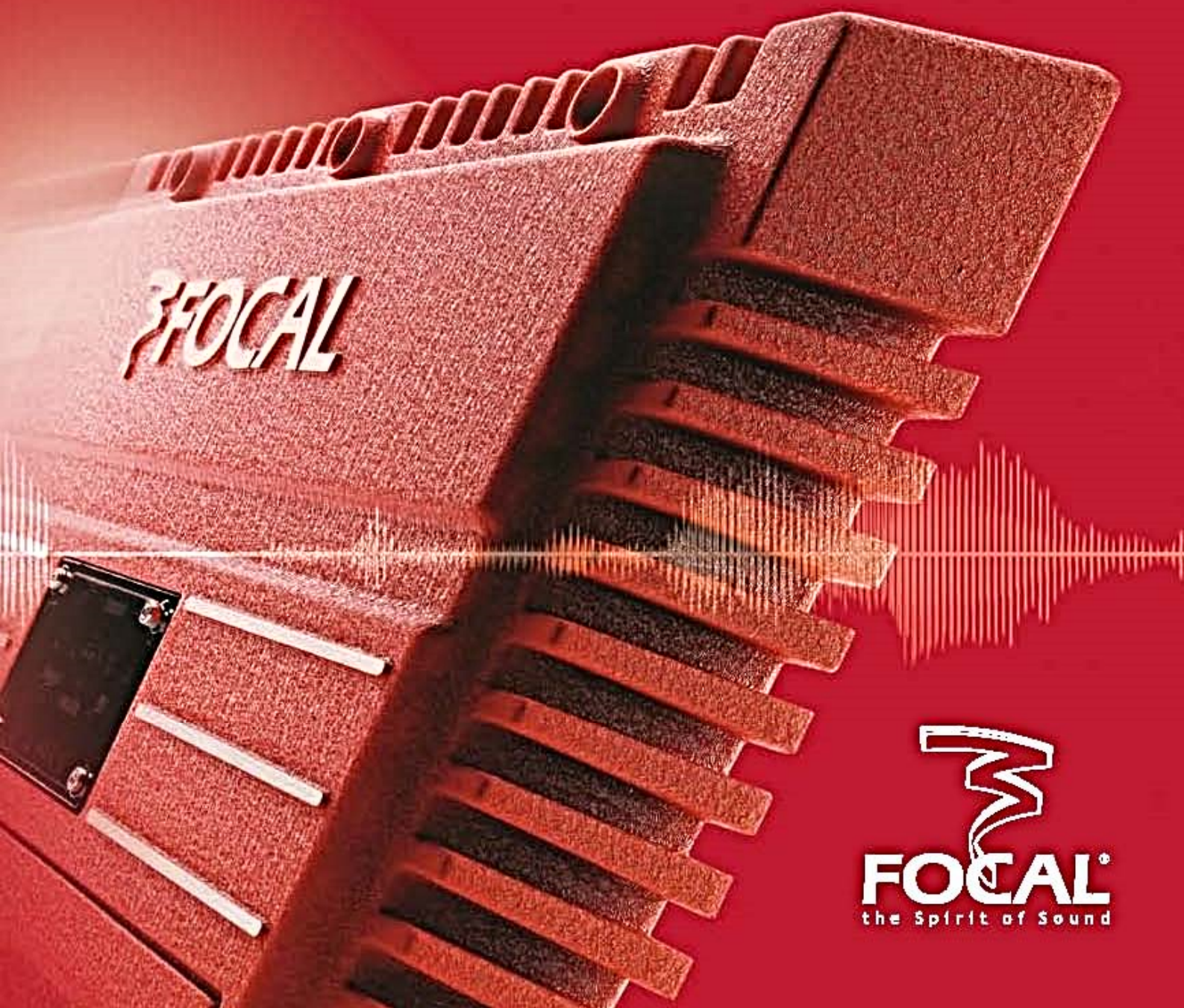


SOLID AMPLIFIERS

Service Manual - May 2008

SOLID 2 Amplifier

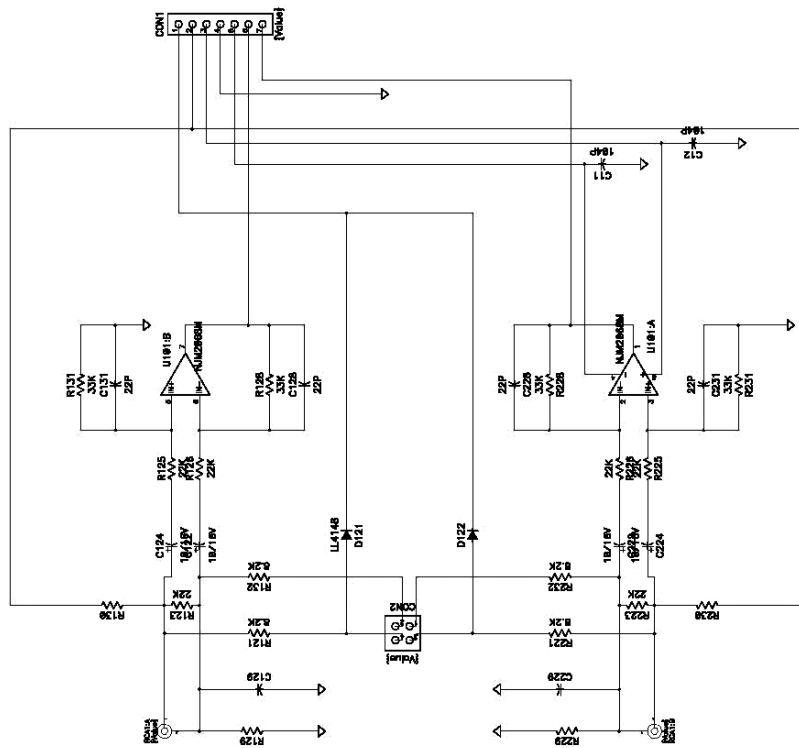



FOCAL[®]
the Spirit of Sound

Summary

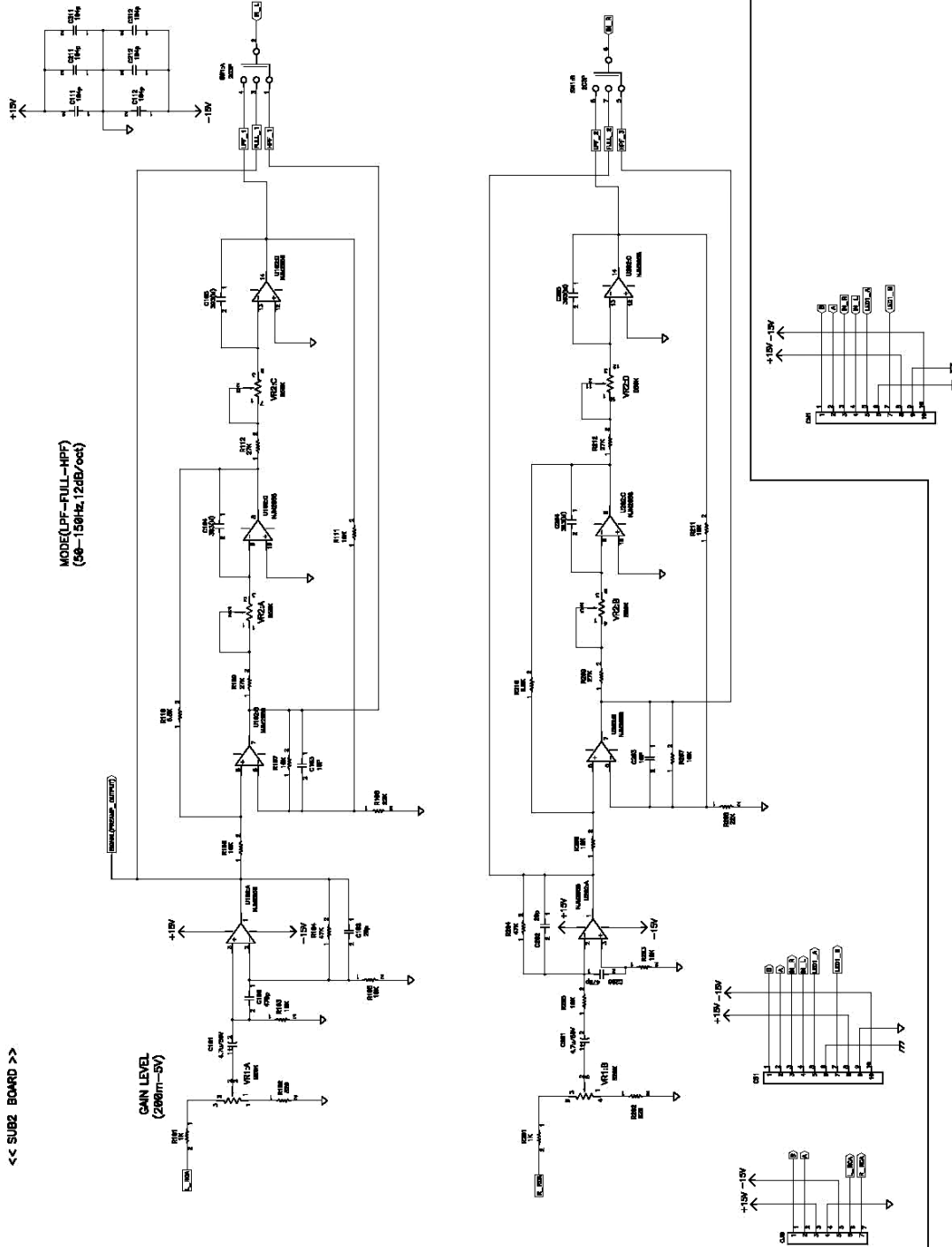


| | page |
|---------------------|----------|
| Circuit diagram | 3 to 6 |
| Components layout | 7 to 9 |
| Parts list | 10 to 13 |
| List of spare parts | 15 |

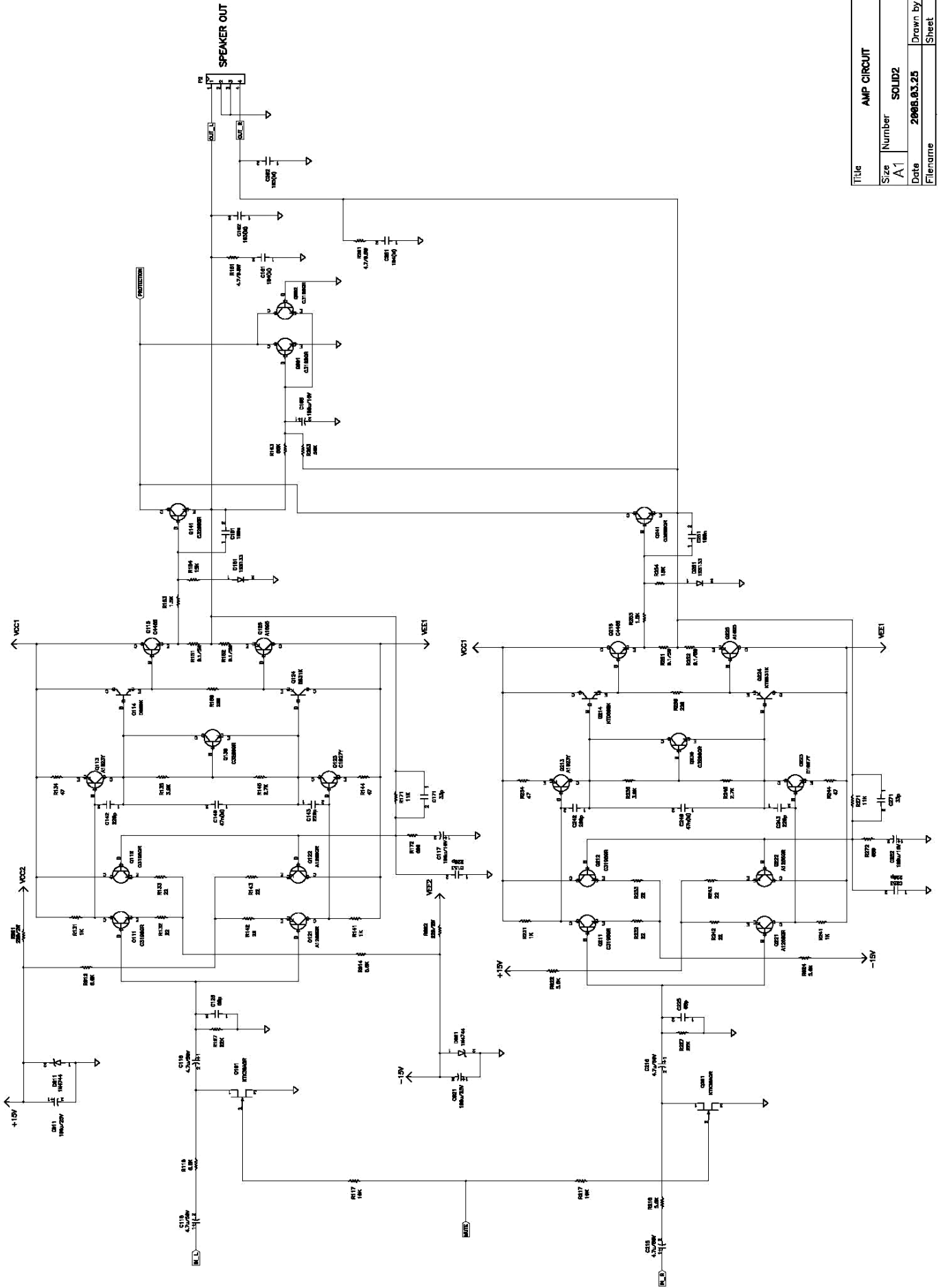


| | | | |
|----------|--------|-------------|--|
| Title | | SOLID2 SUB1 | |
| Size | Number | Rev | |
| Date | | 2008.03.25 | |
| Drawn by | | Filename | |
| Sheet | | 1 of 1 | |

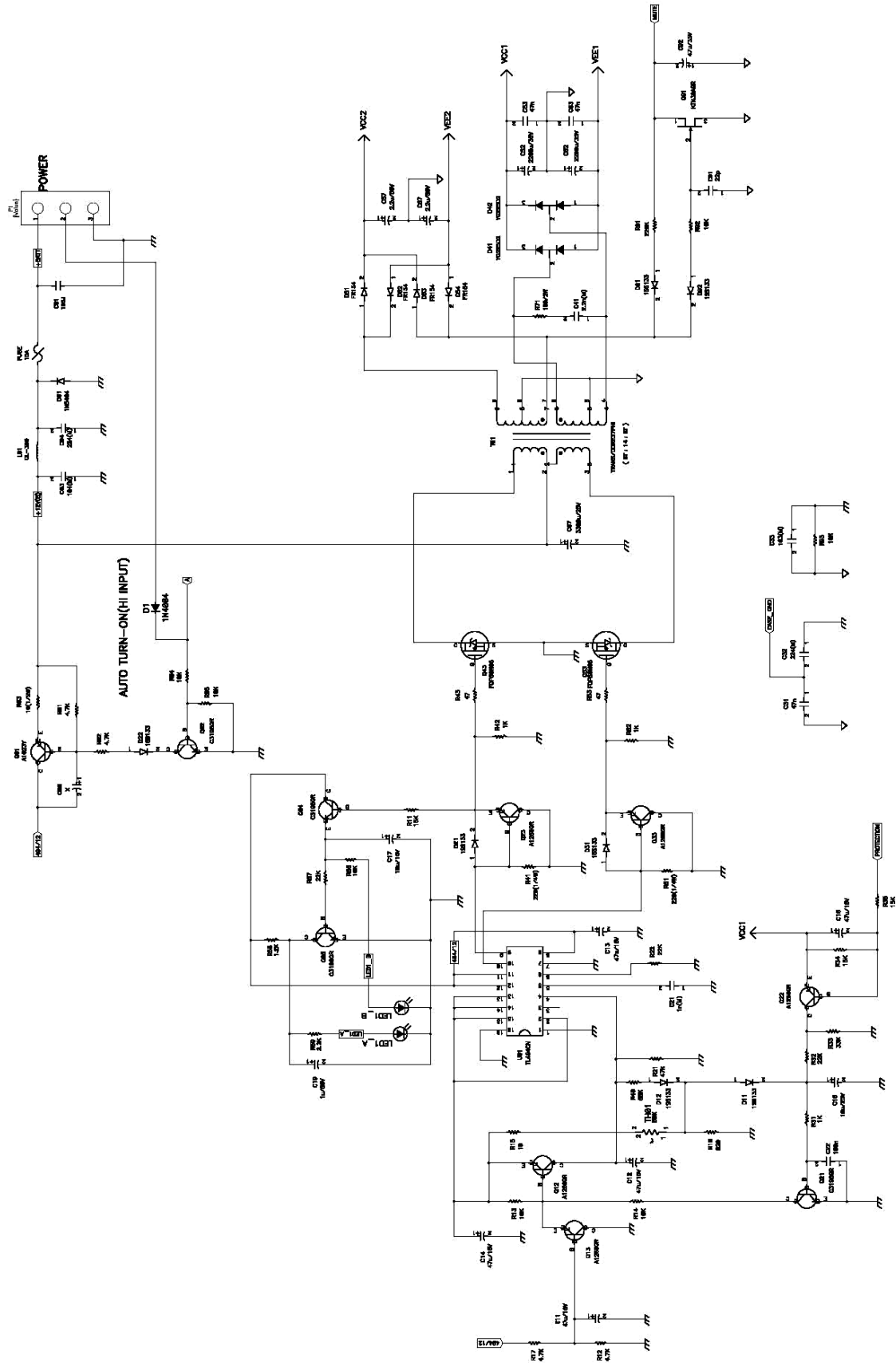
<< SUB2 BOARD >>



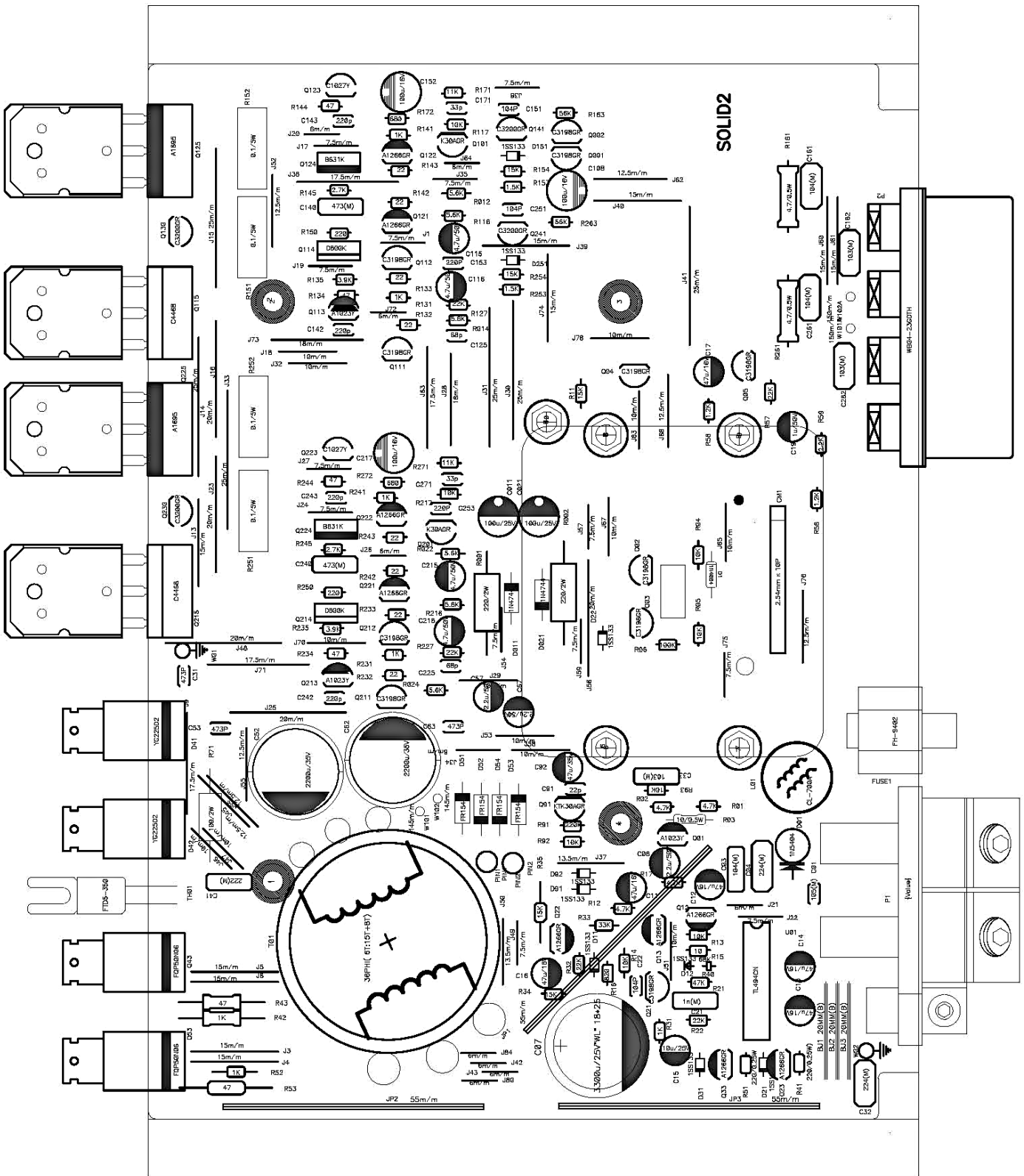
| | | | |
|----------|------------|----------|--------|
| Title | | SOLID2 | |
| Size | Number | Rev | 02 |
| Date | 2006.03.25 | Drawn by | |
| Filename | | Sheet | 1 of 3 |

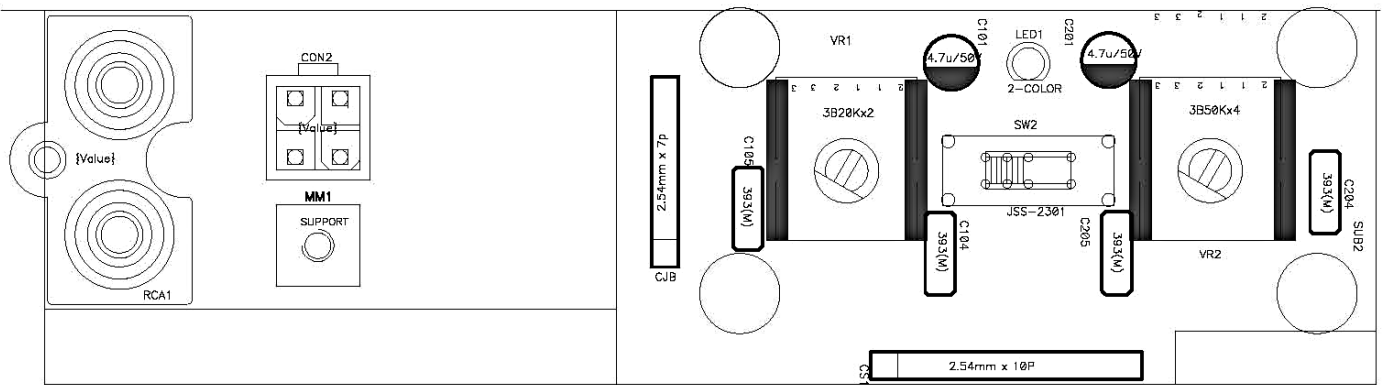


| | | | | | | | |
|----------|------------|--------|--|-------------|--------|--|--|
| Title | | | | AMP CIRCUIT | | | |
| Size | Number | SOLID2 | | Rev | 02 | | |
| Date | 2005.03.25 | | | Drawn by | | | |
| Filename | | | | Sheet | 2 of 3 | | |



| | | | |
|---------------------|---------------|--------|--|
| Title POWER CIRCUIT | | | |
| Size A1 | Number SOLID2 | Rev 92 | |
| Date 2008.03.25 | Drawn by | | |
| Filename | Sheet 3 | of 3 | |





| CUSTOMER: FOCAL | | MODEL: SOLID2 RED | | | | |
|-------------------------|-----------|--------------------------|------------------------|--|--|--|
| No | Material# | Material Name | Specifications | #of use | REFERENCE DESIGN NO | |
| MAIN PCB AI PART | | | | | | |
| 1 | 3,1 | 36.1.SOLID211121 | PCB | | | |
| 2 | 4,1 | 36.1.SOLID211111 | SINGLE SIDE P.C.B | PENOLE FR-1 (1Oz 1.6T)'BLUE'单面 134x183mm | 1 | |
| 3 | 4,1 | 05.111.05YA1023 | AUDION | SMALL SIGNAL PNP,TO-92LKT1023Y | 3 Q01,113,213 | |
| 4 | 4,1 | 05.111.05YC1027 | AUDION | SMALL SIGNAL PNP,TO-92LKT1027Y | 2 Q123,223 | |
| 5 | 4,1 | 05.811.03GRA1266 | AUDION | SMALL SIGNAL PNP,TO-92LKT1266GR | 9 Q12,13,22,23,33,121,122,221,222 | |
| 6 | 4,1 | 05.811.03GRC3198 | AUDION | SMALL SIGNAL NPN,TO-92KTC3198GR | 11 Q001,02,002,03,04,05,21,111,112,211,212 | |
| 7 | 4,1 | 05.811.03GRC3200 | AUDION | SMALL SIGNAL NPN,TO-92KTC3200GR | 2 Q141,241 | |
| 8 | 4,1 | 04.111.31IN4148L | DIODE | SWITCHING SIGNALL4148 | 8 D11,21,22,31,91,92,151,251 | |
| 9 | 4,1 | 04.111.31IN4004 | DIODE | RECOVERY DIODE1N4004 | 1 D1 | |
| 10 | 4,1 | 04.111.31FR154 | DIODE | FAST RECOVERYFR154/1504 | 4 D51,52,53,54 | |
| 11 | 4,1 | 04.113.31IN4744A | DIODE | ZENER DIODE (1W 15V)1N4744 | 2 D011,021 | |
| 12 | 4,1 | 01.1104.0940100 | CARBON FILM RESISTOR | CARBON FILM 1/8W J10 OHM | 1 R15 | |
| 13 | 4,1 | 01.1104.0940220 | CARBON FILM RESISTOR | CARBON FILM 1/8W J22 OHM | 8 R132,133,142,143,232,233,242,243 | |
| 14 | 4,1 | 01.1104.0940470 | CARBON FILM RESISTOR | CARBON FILM 1/8W J47 OHM | 4 R134,144,234,244 | |
| 15 | 4,1 | 01.1104.0940221 | CARBON FILM RESISTOR | CARBON FILM 1/8W220 | 4 R41,51,150,250 | |
| 16 | 4,1 | 01.1104.0940681 | CARBON FILM RESISTOR | CARBON FILM 1/8W680 | 2 R172,272 | |
| 17 | 4,1 | 01.1104.0940821 | CARBON FILM RESISTOR | CARBON FILM 1/8W820 | 1 R16 | |
| 18 | 4,1 | 01.1104.0940102 | CARBON FILM RESISTOR | CARBON FILM 1/8W J1K OHM | 6 R31,52,131,141,231,241 | |
| 19 | 4,1 | 01.1104.0940122 | CARBON FILM RESISTOR | CARBON FILM 1/8W1.2K | 1 R58 | |
| 20 | 4,1 | 01.1104.0940152 | CARBON FILM RESISTOR | CARBON FILM 1/8W J1.5K OHM | 2 R153,253 | |
| 21 | 4,1 | 01.1104.0940222 | CARBON FILM RESISTOR | CARBON FILM 1/8W2.2K | 1 R59 | |
| 22 | 4,1 | 01.1104.0940272 | CARBON FILM RESISTOR | CARBON FILM 1/8W J2.7K OHM | 2 R145,245 | |
| 23 | 4,1 | 01.1104.0940392 | CARBON FILM RESISTOR | CARBON FILM 1/8W J3.9K OHM | 2 R135,235 | |
| 24 | 4,1 | 01.1104.0940472 | CARBON FILM RESISTOR | CARBON FILM 1/8W J4.7K OHM | 4 R01,02,12,17 | |
| 25 | 4,1 | 01.1104.0940562 | CARBON FILM RESISTOR | CARBON FILM 1/8W J5.6K OHM | 6 R012,014,022,024,116,216 | |
| 26 | 4,1 | 01.1104.0940103 | CARBON FILM RESISTOR | CARBON FILM 1/8W J10K OHM | 9 R04,05,13,14,56,92,93,117,217 | |
| 27 | 4,1 | 01.1104.0940113 | CARBON FILM RESISTOR | CARBON FILM 1/8W11K | 2 R171,271 | |
| 28 | 4,1 | 01.1104.0940153 | CARBON FILM RESISTOR | CARBON FILM 1/8W J15K OHM | 5 R11,34,35,154,254 | |
| 29 | 4,1 | 01.1104.0940223 | CARBON FILM RESISTOR | CARBON FILM 1/8W J22K OHM | 5 R22,32,57,127,227 | |
| 30 | 4,1 | 01.1104.0940333 | CARBON FILM RESISTOR | CARBON FILM 1/8W J33K OHM | 1 R33 | |
| 31 | 4,1 | 01.1104.0940473 | CARBON FILM RESISTOR | CARBON FILM 1/8W J47K OHM | 1 R21 | |
| 32 | 4,1 | 01.1104.0940563 | CARBON FILM RESISTOR | CARBON FILM 1/8W J56K OHM | 2 R163,263 | |
| 33 | 4,1 | 01.1104.0940104 | CARBON FILM RESISTOR | CARBON FILM 1/8W J100K OHM | 1 R06 | |
| 34 | 4,1 | 01.1104.0940224 | CARBON FILM RESISTOR | CARBON FILM 1/8W J220K OHM | 1 R91 | |
| 35 | 4,1 | 01.1104.0140470 | CARBON FILM RESISTOR | CARBON FILM 1/4WJ47 | 2 R43,53 | |
| 36 | 4,1 | 01.1104.0140102 | CARBON FILM RESISTOR | CARBON FILM 1/4WJ1K | 1 R42 | |
| 37 | 4,1 | 01.1101.02204R7 | METAL FILM RESISTOR | METAL FILM 1/2WJ4.7 OHM | 2 R161,261 | |
| 38 | 4,1 | 01.1101.0220100 | METAL FILM RESISTOR | METAL FILM 1/2WJ10 OHM | 1 R03 | |
| 39 | 4,1 | 03.1103.0805040310501R02 | ELECTROLYTIC CAPACITOR | ELECTROLYTIC "MHA/SD"1/50V | 1 C19 | |
| 40 | 4,1 | 03.1103.0811050310502R22 | ELECTROLYTIC CAPACITOR | ELECTROLYTIC "SHL"2.2uF/50V | 3 C06,57,67 | |
| 41 | 4,1 | 03.1103.0811050310504R72 | ELECTROLYTIC CAPACITOR | ELECTROLYTIC "SHL"4.7uF/50V | 4 C115,116,215,216 | |
| 42 | 4,1 | 03.1103.0811050310251002 | ELECTROLYTIC CAPACITOR | ELECTROLYTIC "SHL"10uF/25V | 1 C15 | |
| 43 | 4,1 | 03.1103.0811050310164702 | ELECTROLYTIC CAPACITOR | ELECTROLYTIC "SHL"47uF/16V | 5 C11,12,13,14,16 | |
| 44 | 4,1 | 03.1103.0811050310354702 | ELECTROLYTIC CAPACITOR | ELECTROLYTIC "MHA/SD"47/35V | 1 C92 | |
| 45 | 4,1 | 03.1103.0811050310161012 | ELECTROLYTIC CAPACITOR | ELECTROLYTIC "SHL"100uF/16V | 3 C108,152,217 | |
| 46 | 4,1 | 03.1103.0805080310251012 | ELECTROLYTIC CAPACITOR | ELECTROLYTIC "MHA/SD"100/25V | 1 C011 | |
| 47 | 4,1 | 03.1103.0811050310161002 | ELECTROLYTIC CAPACITOR | ELECTROLYTIC "SHL"10uF/16V | 1 C17 | |
| 48 | 4,1 | 03.1104.061001022 | MYLAR CAPACITOR | MYLAR 5% 100V102(M) | 1 C21 | |
| 49 | 4,1 | 03.1104.061001032 | MYLAR CAPACITOR | MYLAR,100V 5%103(M) | 1 C33 | |
| 50 | 4,1 | 03.1104.061002222 | MYLAR CAPACITOR | MYLAR 5% 100V222(M) | 1 C41 | |
| 51 | 4,1 | 03.1104.061004732 | MYLAR CAPACITOR | MYLAR,100V 5%473(M) | 2 C140,240 | |
| 52 | 4,1 | 03.1104.061001042 | MYLAR CAPACITOR | MYLAR 5% 100V104(M) | 3 C03,161,261 | |
| 53 | 4,1 | 03.1101.061002242 | MYLAR CAPACITOR | MYLAR,100V 5%,BOX or TL224(M) | 1 C32 | |
| 54 | 4,1 | 03.1101.060631052 | MYLAR CAPACITOR | MYLAR,63V 5%,BOX or TL105(M) | 1 C01 | |
| 55 | 4,1 | 03.1102.060502202 | CERAMIC CAPACITOR | CERAMIC DISK 50V "NPO"22 pF | 1 C91 | |
| 56 | 4,1 | 03.1102.060503302 | CERAMIC CAPACITOR | CERAMIC DISK 50V "NPO"33 pF | 2 C171,271 | |
| 57 | 4,1 | 03.1102.060506802 | CERAMIC CAPACITOR | CERAMIC DISK 50V "NPO"68 pF | 2 C125,225 | |
| 58 | 4,1 | 03.1102.060502212 | CERAMIC CAPACITOR | DISK TYPE, CERAMIC, 50V"NPO"220P | 6 C142,143,153,242,243,253 | |
| 59 | 4,1 | 03.1102.070504732 | CERAMIC CAPACITOR | DISK TYPE, CERAMIC, 50V473P | 3 C31,53,63 | |
| 60 | 4,1 | 03.1111.070501042 | CERAMIC CAPACITOR | DISK TYPE, CERAMIC, 50V104P | 3 C22,151,251 | |
| 61 | 4,1 | 16.11.0R70006 | JUMPER WIRE | "0" OHM JUMPER6 m/m | 10 J20,21,26,42,43,64,72,80,84 | |
| 62 | 4,1 | 16.11.0R707R5 | JUMPER WIRE | "0" OHM JUMPER7.5 m/m | 14 J1,17,19,22,24,27,34,35,38,49,54,57,59,75 | |
| 63 | 4,1 | 16.11.0R70010 | JUMPER WIRE | "0" OHM JUMPER10 m/m | 11 J18,29,32,51,53,58,65,67,70,78,83 | |
| 64 | 4,1 | 16.11.0R712R5 | JUMPER WIRE | "0" OHM JUMPER12.5 m/m | 5 J52,55,62,68,76 | |
| 65 | 4,1 | 16.11.0R713R5 | JUMPER WIRE | 0 OHM JUMPER13.5m/m | 2 J37,50 | |
| 66 | 4,1 | 16.11.0R70015 | JUMPER WIRE | "0" OHM JUMPER15 m/m | 10 J3,4,5,6,13,39,40,60,61,74 | |
| 67 | 4,1 | 16.11.0R717R5 | JUMPER WIRE | "0" OHM JUMPER17.5 m/m | 4 J9,36,63,71 | |
| 68 | 4,1 | 16.11.0R70013 | JUMPER WIRE | 0 OHM JUMPER18m/m | 2 J28,73 | |
| 69 | 4,1 | 16.11.0R70020 | JUMPER WIRE | "0" OHM JUMPER20 m/m | 5 J16,23,25,48,56, | |
| 70 | 4,1 | 16.11.0R70025 | JUMPER WIRE | "0" OHM JUMPER25 m/m | 6 J14,15,30,31,33,41 | |

| CUSTOMER: FOCAL | | MODEL: SOLID2 RED | | | |
|------------------------------|-----------|----------------------------|------------------------|---------|--------------------------|
| No | Material# | Material Name | Specifications | #of use | REFERENCE DESIGN NO |
| MAIN PCB MI PART | | | | | |
| 71 | 3,1 | 36.1.SOLID211131 | | | |
| 72 | 4,1 | 36.1.SOLID211121 | PCB | 1 | |
| 73 | 4,1 | 01.1104.0940683 | CARBON FILM RESISTOR | 1 | R40 |
| 74 | 4,1 | 03.1101.061002242 | MYLAR CAPACITOR | 1 | C04 |
| 75 | 4,1 | 03.1103.0805080310251012 | ELECTROLYTIC CAPACITOR | 1 | C021 |
| 76 | 4,1 | 04.111.31IN4148L | DIODE | 1 | 和R40串联插入R40位置 |
| 77 | 4,1 | 05.114.032SK30ATM | FET | 3 | Q91,101,201 |
| 78 | 4,1 | 16.11.0R70010 | JUMPER WIRE | 2 | J46, 47 |
| 79 | 4,1 | 16.11.0R712R5 | JUMPER WIRE | 2 | J44, 45 |
| 80 | 4,1 | 06.11.208TL494CN | IC | 1 | U01 |
| 81 | 4,1 | 05.114.01FQP50N06 | AUDION | 2 | Q43,53 |
| 82 | 4,1 | 05.811.13GRC3200 | AUDION | 2 | Q130,230 |
| 83 | 4,1 | 05.811.07YB631K | AUDION | 2 | Q124,224 |
| 84 | 4,1 | 05.811.07YD600K | AUDION | 2 | Q114,214 |
| 85 | 4,1 | 05.111.02YC4468 | AUDION | 2 | Q115,215 |
| 86 | 4,1 | 05.111.03YA1695 | AUDION | 2 | Q125,225 |
| 87 | 4,1 | 04.111.31IN5404 | DIODE | 1 | D01 |
| 88 | 4,1 | 04.815.33YG225D2 | DIODE | 2 | D41,42 |
| 89 | 4,1 | 01.1101.0420101 | METAL FILM RESISTOR | 1 | R71 |
| 90 | 4,1 | 01.1101.0420221 | METAL FILM RESISTOR | 2 | R001,002 |
| 91 | 4,1 | 01.1102.0780R10 | CEMENT RESISTOR | 4 | R151,152,251,252 |
| 92 | 4,1 | 02.111.5032 | THERMISTOR | 1 | TH01 |
| 93 | 4,1 | 03.8103.082518042025332102 | ELECTROLYTIC CAPACITOR | 1 | C07 |
| 94 | 4,1 | 03.8103.082516041035222101 | ELECTROLYTIC CAPACITOR | 2 | C52,62 |
| 95 | 4,1 | 08.12.ZX550R32 | INDUCTOR | 1 | L01 |
| 96 | 4,1 | 07.12.SOLID20 | TRANSFORMER | 1 | T01 |
| 97 | 4,1 | 17.11.220602008 | GROUND WIRE | 2 | W01,02 |
| 98 | 4,1 | 23.11.102R50 | 10 PIN | 1 | CM1 |
| 99 | 4,1 | 50.13.ZX2500R114 | JUMPER WIRE | 3 | JP1,2,3 |
| 100 | 4,1 | 48.152.2000060R50 | PAPER PAD | 0,4 | 垫功率管使用,RCA底部使用 |
| 101 | 4,1 | 48.152.2000070R50 | PAPER PAD | 0,25 | 垫场效应管,二极管使用 |
| 102 | 4,1 | 17.12.162151000 | LEAD | 2 | w01-w01A,w02-W02A |
| 103 | 4,1 | 50.13.ZX2500R110 | COPPER POST | 2 | BJ1,3 |
| MAIN PCB RETOUCH PART | | | | | |
| 104 | 4,1 | 25.141.002901902510 | FUSE HOLDER | 1 | FUSE1 |
| 105 | 4,1 | 27.112.03045030110220 | POWER TERMINAL | 1 | P1 |
| 106 | 4,1 | 27.112.04051030110220 | OUTPUT TERMINAL | 1 | P2 |
| SUB1 SMT PART | | | | | |
| 107 | 4,1 | 36.1.SOLID220622 | PCB | | |
| 108 | 4,1 | 36.1.SOLID220612 | SUB1 PCB | 1 | SUB1 PCB |
| 109 | 4,1 | 06.82.203NJM2068M | IC | 1 | U101 |
| 110 | 4,1 | 04.121.24IN4148L | DIODE | 1 | D121 |
| 111 | 4,1 | 03.1203.08101610022 | CAPACITOR | 4 | C122,124,222,224 |
| 112 | 4,1 | 01.1211.0900822 | RESISTOR | 4 | R121,132,221,232 |
| 113 | 4,1 | 01.1211.0900223 | RESISTOR | 6 | R123,223,125,126,225,226 |
| 114 | 4,1 | 01.1211.0900333 | RESISTOR | 4 | R128,131,228,231 |
| 115 | 4,1 | 03.1202.060502204 | CAPACITOR | 4 | C128,131,228,231 |
| 116 | 4,1 | 03.1202.070501044 | CAPACITOR | 2 | C11,12 |
| SUB1 PCB RETOUCH PART | | | | | |
| 117 | 4,1 | 36.1.SOLID220632 | SUB1 | | |
| 118 | 4,1 | 36.1.SOLID220622 | PCB | 1 | |
| 119 | 4,1 | 21.112.044R200 | HIGH LEVEL TERMINAL | 1 | CON2 |
| 120 | 4,1 | 50.15.SOLID10 | PCB BRACKET | 1 | MM1 |
| 121 | 4,1 | 18.1071.2407060 | CONNECT WIRE | 1 | CON1 |
| 122 | 4,1 | 26.141.211122 | RCA | 1 | RCA1 |

| CUSTOMER: FOCAL | | MODEL: SOLID2 RED | | | |
|--------------------------|-----------|--------------------------|------------------------|--|--|
| No | Material# | Material Name | Specifications | #of use | REFERENCE DESIGN NO |
| SUB2 SMT PART | | | | | |
| 123 | 4,1 | 36.1.SOLID220623 | PCB | | |
| 124 | 4,1 | 36.1.SOLID220613 | PCB | GLASS EPOXY,FR-4 DOUBLE LAYER,1.6/1.0z57x52m/m | 1 SUB PCB |
| 125 | 4,1 | 06.82.203NJM2058M | IC | QUAD OP AMP,SSOP-14NJM2058M | 2 U102,202 |
| 126 | 4,1 | 01.1219.1500821 | CHIP RESISTOR | SMD*0603" 1/16WJ820 | 2 R102,202 |
| 127 | 4,1 | 01.1219.1500102 | CHIP RESISTOR | SMD*0603" 1/16WJ1K | 2 R101,201 |
| 128 | 4,1 | 01.1219.1500682 | CHIP RESISTOR | SMD*0603" 1/16WJ6.8K | 2 R110,210 |
| 129 | 4,1 | 01.1219.1500103 | CHIP RESISTOR | SMD*0603" 1/16WJ10K | 9 R103,105,106,107,111,203,206,207,211 |
| 130 | 4,1 | 01.1220.1508251 | CHIP RESISTOR | SMD*0603" 1/16W F 47K | 1 R205 |
| 131 | 4,1 | 01.1219.1500223 | CHIP RESISTOR | SMD*0603" 1/16WJ22K | 2 R108,208 |
| 132 | 4,1 | 01.1219.1500273 | CHIP RESISTOR | SMD*0603" 1/16WJ27K | 4 R109,112,209,212 |
| 133 | 4,1 | 01.1220.1304702 | CHIP RESISTOR | SMD*0603" 1/16WJ47K ±1% | 2 R104,204 |
| 134 | 4,1 | 03.1202.060501007 | CHIP CERAMIC CAPACITOR | SMD*0603" CERAMIC , 50V"NPO"10P | 2 C103,203 |
| 135 | 4,1 | 03.1202.060502007 | CHIP CERAMIC CAPACITOR | SMD*0603" CERAMIC , 50V"NPO"20P | 2 C102,202 |
| 136 | 4,1 | 03.1202.070501047 | CHIP CERAMIC CAPACITOR | SMD*0603" CERAMIC , 50V104P | 4 C211,212,311,312 |
| 137 | 4,1 | 03.1202.060504717 | CHIP CERAMIC CAPACITOR | SMD*0603" CERAMIC , 50V471P | 2 C106,206 |
| SUB2 AI PART | | | | | |
| 138 | 4,1 | 03.1103.0805040310504R72 | ELECTROLYTIC CAPACITOR | ELECTROLYTIC"DSA/SE"4.7/50V | 2 C101,201 |
| 139 | 4,1 | 03.1108.061003932 | MYLAR CAPACITOR | MYLAR,100V 5%393M | 4 C104,105,204,205 |
| SUB2 MI PART | | | | | |
| 140 | 4,1 | 36.1.SOLID220633 | SUB2 | | |
| 141 | 4,1 | 36.1.SOLID220623 | PCB | | 1 |
| 142 | 4,1 | 10.132.2032142011 | POT | 20KbX2,41-CLICKV123H C41 20F-B20Kx2 | 1 VR1 |
| 143 | 4,1 | 10.132.5032094011 | POT | 50KbX4,41-CLICKV124H C41 20F-B50Kx4 | 1 VR2 |
| 144 | 4,1 | 29.112.30140 | SWITCH | SLIDE SW立式 柄长14MM 2 | 1 SW2 |
| 145 | 4,1 | 04.112.33L-319VE4WW | LED | 2COLOR(white& RED) | 1 LED |
| 146 | 4,1 | 22.111.102R502 | 10 PIN | STRAIGHT TYPE,10P | 1 CS1 |
| SUB2 RETOUCH PART | | | | | |
| 147 | 4,1 | 21.121.072R590 | 7P HEADER | STRAIGHT TYPE WAFER,7P | 1 CJB |

| CUSTOMER: FOCAL | | MODEL: SOLID2 RED | | | |
|----------------------|-----------|--------------------|---------------------|---------------------------------|---------------------------------|
| No | Material# | Material Name | Specification | #of Use | REFERENCE DESIGN NO |
| 158 | 1 | 99.1SOLID2R | | | |
| PCB | | | | | |
| 159 | 2.1 | 36.1.SOLID211131 | MAIN BOARD | 1 | |
| 160 | 2.1 | 36.1.SOLID220632 | SUB1 | 1 | |
| 161 | 2.1 | 36.1.SOLID220633 | SUB2 | 1 | |
| ASSEMBLY PART | | | | | |
| 162 | 4.1 | 41.1.SOLID2R70 | HEAT SINK | AL/Die-Casting L=220.0mm | 1 RED SPRAY |
| 163 | 4.1 | 41.1.SOLID2R71 | TOP COVER | AL/EXTRUSION L=170.5mm 0.46g/mm | 1 RED SPRAY |
| 164 | 4.1 | 43.11.SOLID20 | ACRYL | ACRYL 3.7t | 1 SMOKE COLOR |
| 165 | 4.1 | 44.11.SOLID2R70 | FRONT PANEL | SECC,1.0t | 1 RED SPRAY/BLACK SILK |
| 166 | 4.1 | 42.1.SOLID2R70 | BOTTOM COVER | SECC,1.0t | 1 RED POWER SPRAY |
| 167 | 4.1 | 44.11.SOLID271 | FUNCTION TOP COVER | SECC,0.5t | 1 BLACK SPRAY / SILVER SILK |
| 168 | 4.1 | 53.14.030001500371 | CLAMP | SPCC 30.0x15.0x3.0t | 2 带纸垫48.152.0280130011 |
| 169 | 4.1 | 53.14.046001500371 | CLAMP | SPCC 46.0x15.0x3.0t | 2 带纸垫48.152.0450140011 |
| 170 | 4.1 | 48.171.0120070R30 | FELT | FELT 12.0x7.0x0.3t | 1 |
| 171 | 4.1 | 35.1.SOLID30 | KNOB | ABSXR401 | 2 VOLUME |
| 172 | 4.1 | 33.15.2R5006R201 | PAD | P.C 0.2t | 4 TOP WINDOW |
| 173 | 4.1 | 48.132.0100100020 | RUBBER PAD | RUBBER,10.0x10.0x2.0t | 2 |
| 174 | 4.1 | 48.142.030023R201 | SILICON PAD | 30.0x23.0x0.2t | 1 |
| 175 | 4.1 | 48.142.095023R201 | SILICON PAD | 95.0x23.0x0.2t | 1 |
| 176 | 4.1 | 31.13.0563R00800 | SCREW | STT2 BH 3x8 BK | 3 RCA(1),TERMINAL(2) |
| 177 | 4.1 | 31.13.0222R01000 | SCREW | 自攻 P2 φ2mm 10mm 黑 | 1 锁保险丝座 |
| 178 | 4.1 | 31.11.0513R00600 | SCREW | SMB 3x6 BK | 1 PCB SUPPORT(1) |
| 179 | 4.1 | 31.11.0513R00610 | SCREW | SMB 3x6 NI-P | 6 PCB(6), |
| 180 | 4.1 | 31.11.0213R00610 | SCREW | SMP 3x6 NI-P | 8 铜柱 |
| 181 | 4.1 | 31.11.0413R00600 | SCREW | SMF 3x8 BK | 5 BOTTOM COVER (5) |
| 182 | 4.1 | 31.11.0863R00810 | SCREW | SML 3x8 NI-P | 4 TOP WINDOW+TOP PANEL+HEATSINK |
| 183 | 4.1 | 31.11.0564R01411 | SCREW | SMB 4X14 NI-P LOCK HEAD | 4 TR BRACKET |
| 184 | 4.1 | 31.13.0563R00610 | SCREW | STT2 BH 3x6 NI-P | 1 用于热敏电阻(1) |
| 185 | 4.1 | 48.152.1830200010 | PAPER PAD | 单面背胶183*20*1.0t | 3 |
| 186 | 4.1 | 48.152.0500060R50 | PAPER PAD | 50*6*0.5t | 2 |
| 187 | 4.1 | 48.152.1200060R50 | PAPER PAD | 120*6*0.5t | 2 |
| 188 | 4.1 | 48.152.0800060R50 | PAPER PAD | 80*6*0.5t | 1 |
| 189 | 4.1 | 48.132.0126R60020 | RUBBER PAD | RUBBER PHI12.0xPHI6.6x2.0T | 4 ACCESSORY |
| 190 | 4.1 | 34.19.0142R40054 | ALUMINIUM POST | H5,L=14MM;M3 本色铝 | 4 |
| PACKING | | | | | |
| 191 | 4.1 | 55.11.320300R0321 | PLASTIC BAG | VINYL, 320x300x0.03T 开通气孔 | 1 SET/包装产品 |
| 192 | 4.1 | 56.11.SOLID10 | BRAND LABEL | | 1 |
| 193 | 4.1 | 56.18.SOL2R1 | CARTON LABEL | | 2/6 |
| 194 | 4.1 | 56.18.SOL2R0 | GIFT BOX LABEL | | 2 |
| 195 | 4.1 | 56.13.SOLID20 | SERIAL NUMBER LABEL | | 1 |
| 196 | 4.1 | 89.11.0250052 | LABEL | | 1 打印56.13.SOLID21 |
| 197 | 4.1 | 55.11.300120R0321 | PLASTIC BAG | | 1 |
| 198 | 4.1 | 57.12.SOLID10 | EPS | EPS, 246.0x93.0x90.0 / :50 | 2 |
| 199 | 4.1 | 59.11.SOLID2R | GIFT BOX | SW#1(B TYPE) 334*251*101 | 1 装功放使用 |
| 200 | 4.1 | 58.11.SOLID21 | MASTER CARTON | 646*349*276 | 1/6 装礼盒使用 |
| 201 | 4.1 | 38.11.SOLID10 | USER MANUAL | ART PAPER | 1 系列机种共用 |
| 202 | 4.1 | 39.103.0001 | DRYER | 3g | 1 |
| 203 | 4.1 | 80.19.SOLID0 | RUBBER BAND | | 1 |
| ACCESSORY | | | | | |
| 204 | 4.1 | 24.11.002590 | FUSE | FUSE AUTO FUSE : 25A | 1 ACCESSORY |
| 205 | 4.1 | 65.1.022 | WRENCH | HEXA 2.0 mm (NI-P) | 1 ACCESSORY |
| 206 | 4.1 | 65.1.032 | WRENCH | HEXA 3.0 mm (NI-P) | 1 ACCESSORY |
| 207 | 4.1 | 65.1.042 | WRENCH | HEXA 4.0 mm (NI-P) | 1 ACCESSORY |
| 208 | 4.1 | 65.1.052 | WRENCH | HEXA 5.0 mm (NI-P) | 1 ACCESSORY |
| 209 | 4.1 | 31.13.0856R05210 | SCREW | STT1 LH 6x52 NI-P | 4 ACCESSORY |
| 210 | 4.1 | 55.11.120080R0331 | PLASTIC BAG | VINYL, 120.0x80.0x0.3t 不开通气孔 | 1 附件包/ACC'Y |
| 211 | 4.1 | 18.1042.2029010 | HIGH LEVEL WIRE | 1015 AWG20# 290MM 一端带插头 | 1 |



LIST OF SPARE PARTS

SOLID2

| REFERENCE DESIGN NO | DESCRIPTION | REFERENCE |
|----------------------------|--------------------|------------------|
| Q43;53 | FET TRANSISTOR | FQP50N06 |
| U01 | INTEGRATED CIRCUIT | TL494CN |
| D41;42 | DIODE | YG225D2 |
| Q115;215 | TRANSISTOR | 2SC4468 |
| Q125;225 | TRANSISTOR | 2SA1695 |
| Q124;224 | TRANSISTOR | 2SB631K |
| Q114;214 | TRANSISTOR | KTD600K |
| | REMOTE CONTROL | |



Focal® is a registered trademark of Focal-JMLab® - www.focal-fr.com
Focal-JMLab® - BP 374 - 108, rue de l'Avenir - 42353 La Talaudière cedex - France
Tel. [+33] 04 77 43 57 00 - Fax [+33] 04 77 43 57 04 - SCBD080513/1

Due to constant technological advances, Focal reserves its right to modify specifications without notice. Images may not conform exactly to specific product.